

# VSTD DROP THROUGH ROTARY VALVE

DROP THROUGH ROTARY VALVES are designed to handle pneumatic conveying in dilute and dense phase for every industrial application such as food, plastic, rubber, chemical, pharmaceutical and mining. Thanks to COMAV'S TECHNOLOGY our valve is used for powders, granules, flakes and pellets, assuring a perfect reliability and meeting a wide range of customer's requirements. The round flange allows an easy connection to the conveying line and the equipment.



## APPLICATIONS

- METERING
- DISCHARGE
- POWDER
- GRANULE
- GENERAL PNEUMATIC CONVEYING
- MOCA - EC1935/2004

## DESIGN

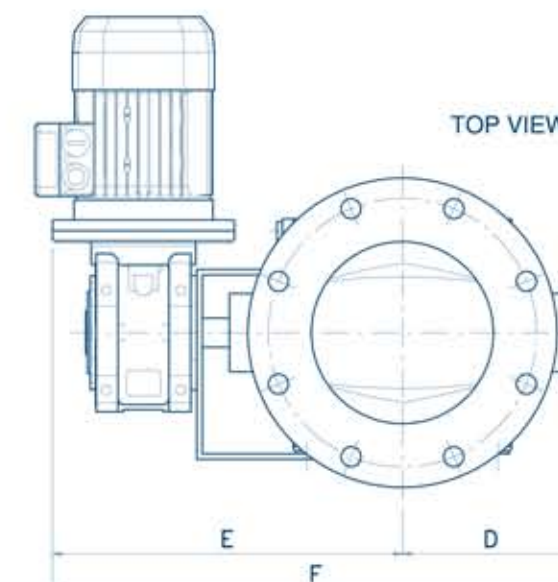
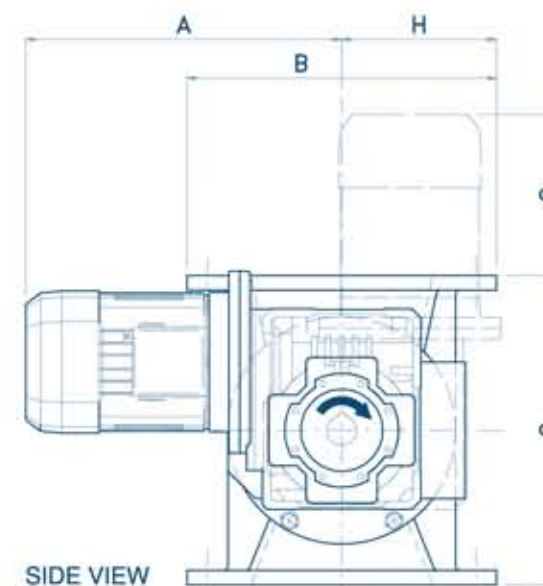
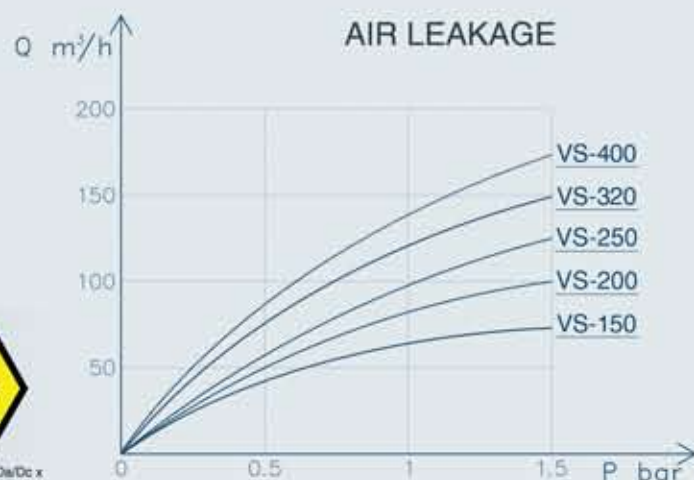
- FLANGING: ROUND UNI 2277-67 PN 10
- SIZE: DN150, DN200, DN250, DN300
- HOUSING: CAST IRON CASTING SS316L
- ROTOR: WELDED CARBON STEEL OR SS304, SS316L
- DRIVE: DIRECT DRIVE STANDARD VERSION OR CHAIN TRANSMISSION. AVAILABLE IN BARE SHAFT VERSION ALL OUR DRIVES CAN BE CONTROLLED BY INVERTER
- ROBUST&COMPACT DESIGN WITH MINIMAL ROTOR TOLERANCE

## FEATURES

- PRESSURE: 1,5 BAR
- TEMPERATURE: MAX 65 °C
- AIR LEAKAGE: SEE CHART
- INTEGRATED CASTING INNER HOPPER ( BETTER FILLING EFFICIENCY)
- 8 VANES OPEN OR CLOSED ENDS ROTOR

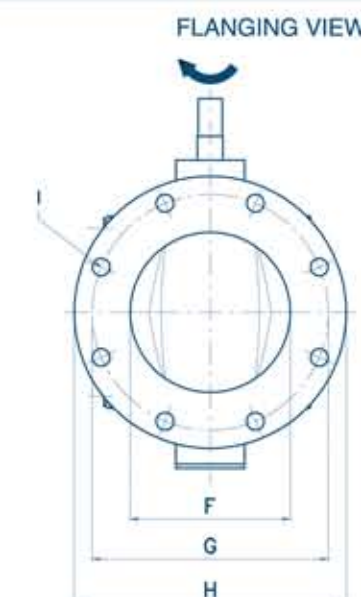
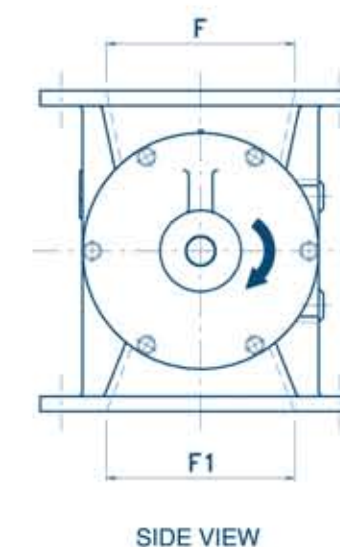
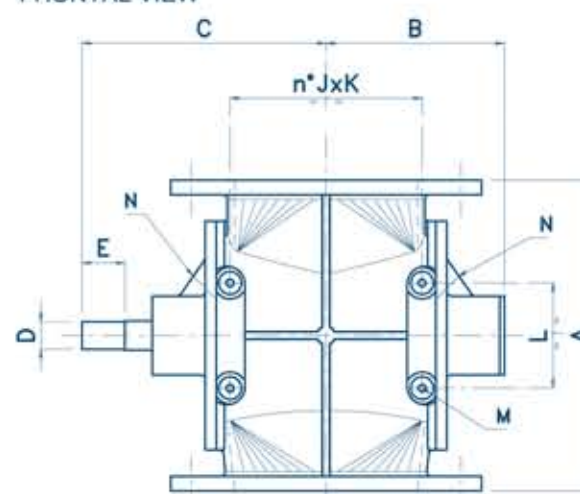
## OPTIONALS

- DIFFERENT ROTORS FOR DIFFERENT PRODUCTS
- NICKEL COATING EC1935/2004
- HARD CHROMIUM PLATING
- VARIOUS POLISHING DEGREES
- HIGH TEMPERATURE CONFIGURATION
- FEEDING SHOE
- FEEDING HOPPER COMPLETE WITH AIR INTAKES
- AIR BLOW-IN PURGE
- AIR INTAKE HOLE ON HOUSING
- SPEED DISPLAY
- SPEED CONTROLLER



	A	B	C	D	E	F	G	H	L./Rev.	Rev./1' max	POWER	WEIGHT
150	400	∅250	260	158	325	545	180	31	2,2	30	Kw 0,18	Kg 60
200	400	∅340	340	195	385	580	180	75	4,5	30	Kw 0,55	Kg 95
250	400	∅395	400	210	400	610	180	75	8	30	Kw 0,75	Kg 115
320	450	∅445	500	225	420	645	180	87	16	30	Kw 1,10	Kg 175
400	450	∅500	580	240	440	680	180	87	37	30	Kw 1,10	Kg 215

FRONTAL VIEW



	A	B	C	D	E	F	F1	G	H	I	J	K	L	M	L./Rev.	N
150	260	152	235	∅25	70	∅135	∅135	∅210	∅250	8XM16	1	165	110	4XM10	2,2	1/8" GAS
200	340	190	267	∅30	47	∅200	∅200	∅295	∅340	8X∅22	1	210	115	4XM10	4,5	1/8" GAS
250	400	205	282	∅30	47	∅265	∅265	∅350	∅395	12X∅22	2	117,5	125	6XM10	8	1/8" GAS
320	500	221	304	∅35	53	∅326	∅326	∅400	∅445	12X∅22	2	132,5	175	6XM10	16	1/8" GAS
400	570	280	368	∅40	56	∅350	∅350	∅460	∅505	16X∅22	3	125	220	8XM10	37	1/4" GAS

BROCHURE



COMPLIANCE



II 1/30 IIC T135°C Da/De x